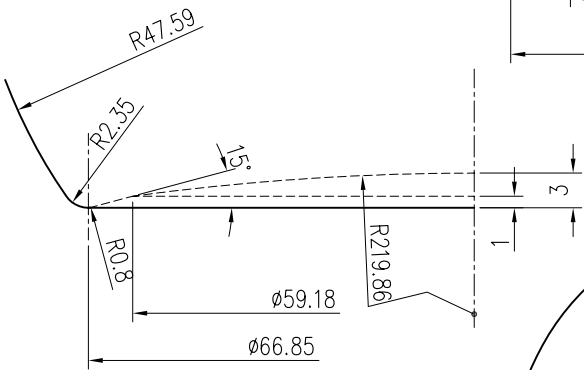
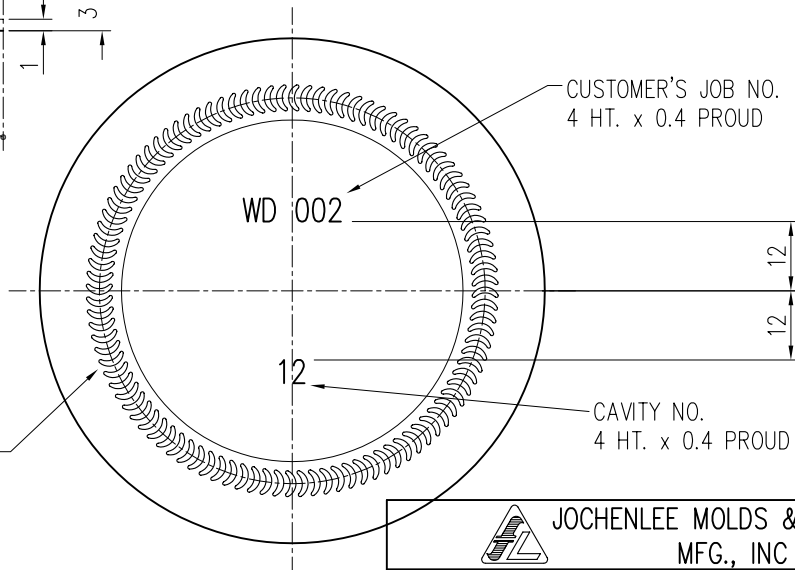


8 ROWS (OM-7M) STIPLING
AROUND BTL AS SHOWN





BOTTOM STACK PROFILE
S(2 :1)

100 PTS CRESCENT ON
BEARING DIAMETER



REVISION		
NO.	DATE	REMARKS

 JOCHENLEE MOLDS & MACHINE MFG., INC	
CUSTOMER WADI GLASS	
ITEM WD002 720ML JAR	
FINISH TYPE GPI 82-2040	
WEIGHT 310g ±21.5g	COLOUR FLINT
FILL PT. CAP.	DATE 07-07-06
BRIMFUL CAP. 720ml ±8.5ml	CHK'D 
NOM. HEADSPACE %	DRG NO. JCL06-181/PD-0
DES'D BY NUR	