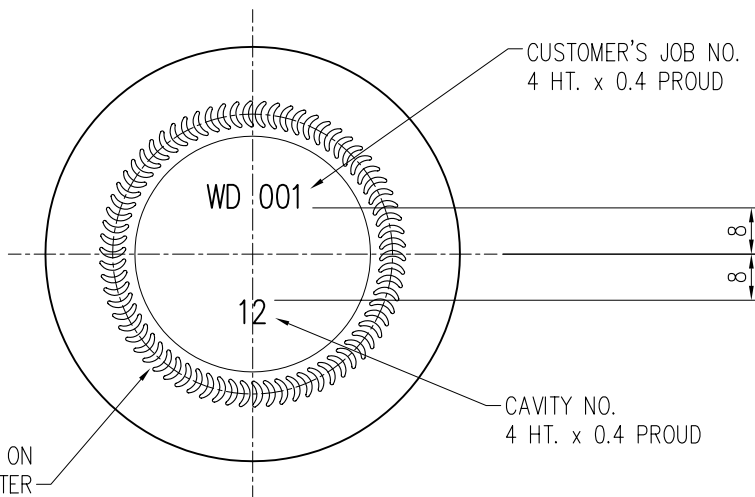


BOTTOM STACK PROFILE  
S(2:1)



70 PTS CRESCENT ON  
BEARING DIAMETER

REVISION		
NO.	DATE	REMARKS

JOCHENLEE MOLDS & MACHINE MFG., INC	
CUSTOMER WADI GLASS	
ITEM WD001 370ML JAR	
FINISH TYPE GPI 63-2030	
WEIGHT 180g ±14g	COLOUR FLINT
FILL PT. CAP.	DATE 07-07-06
BRIMFUL CAP. 370ml ±5.5ml	CHK'D <i>[Signature]</i>
NOM. HEADSPACE %	DRG NO. JCL06-180/PD-0
DES'D BY NUR	